

**PK 10000 PERFORMANCE**

**HIGH-PERFORMANCE  
AND COST-  
EFFICIENT**

**LIFETIME EXCELLENCE**



# LIFETIME EXCELLENCE

PALFINGER loader cranes are convincing due to their superior life-cycle performance. They are the most economical and also the most reliable over the entire product life. From solution finding to resale.

- **Better solutions**
- **Better efficiency**
- **Better ergonomics**
- **Higher availability**
- **More reliability**
- **Better ecology**
- **Higher serviceability**
- **Higher value retention**



PK 10000  
Performance

PALFINGER

TR 370 A



# BEST RATIO OF WEIGHT TO LIFTING CAPACITY IN ITS CLASS

The PK 10000 Performance – the perfect crane for general duty! Because of its maximum ratio of weight to lifting capacity – the leading performance in this metre-tonne class – and its practical equipment specification, it becomes your perfect working unit.

The use of high-strength fine-grained structural steel and the new hexagonal boom profile make it possible to have an enormous hydraulic outreach of 12.4 m.







# ENORMOUS HYDRAULIC OUTREACH THROUGH INNOVATIVE DESIGN AND CONSTRUCTION

## 9 Highlights



### High Speed Extension

For efficient assignments

The High Speed Extension speeds up the extension boom system. Crane works faster and more efficiently.

### Ergonomic crane control

All information at a glance

The operating levers for all crane functions are ergonomically arranged on the console. This provides comfortable, efficient working. The control console is mounted so that it is easy to service.



### Radio control

Dialogue with the operator

The optional PALFINGER radio control system with digital data transmission ensures maximum safety and convenience. The display which is integrated in the control console informs the crane operator continuously about the current capacity status of the crane.

In combination with the PALFINGER radio control system, the load sensing proportional valve enables the crane to be adjusted with great sensitivity.

### Hose equipment for accessories

Versatile and user-friendly

This option provides the oil supply for accessories. The hoses are routed in compact hose troughs and are therefore well protected.



**Internally routed oil ducts**

Maximum protection thanks to compact design

The internally routed oil passages make it possible to have a compact design for the extension system and ensure perfect protection from damage.

**Central lubrication**

Optimised lubrication

For all bearings in the base frame.



**Large outrigger widths**

For optimum stability

The PK 10000 Performance fits on all standard truck chassis. Three stabiliser spreads are possible: 3.3 m (mechanical), 4.9 m (mechanical or alternatively hydraulic) and 5.6 m (hydraulic).

**PAL 50**

Comfort and safety

The optional PALTRONIC 50 electronic control system is a real advance in safety and convenience.



**Hydraulic overload safety device**

In-built safety function

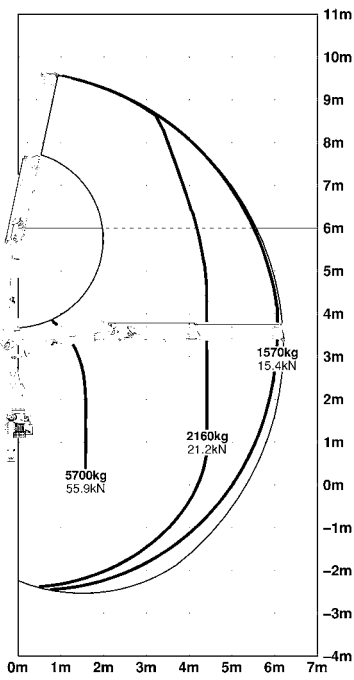
Also available as an option is the hydraulic overload safety device. In the event of overloading it immediately blocks any movements which would increase the load moment.

PK 10000

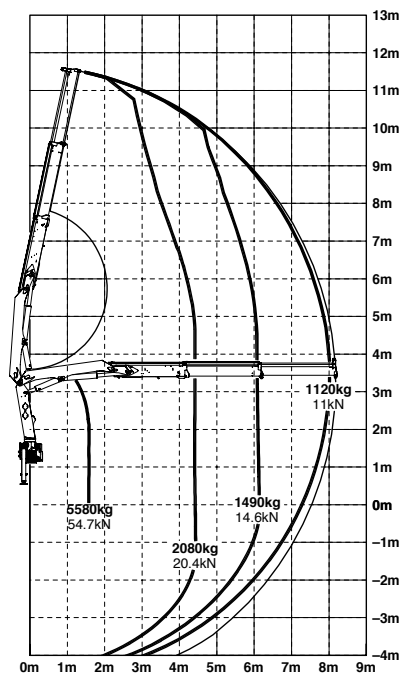
# PERFORMANCE

For performance and safety.

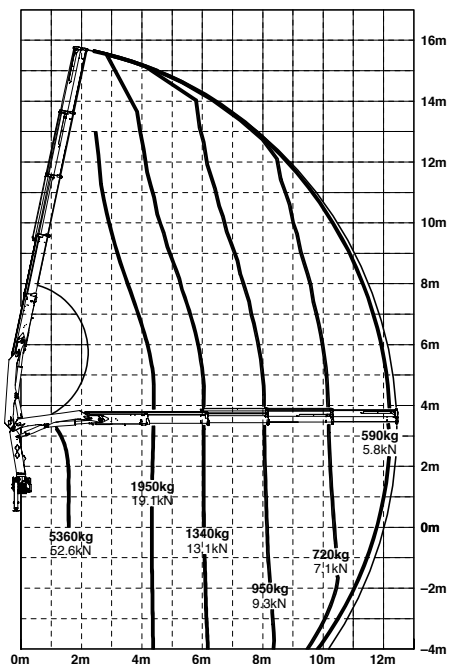
STD



A



C

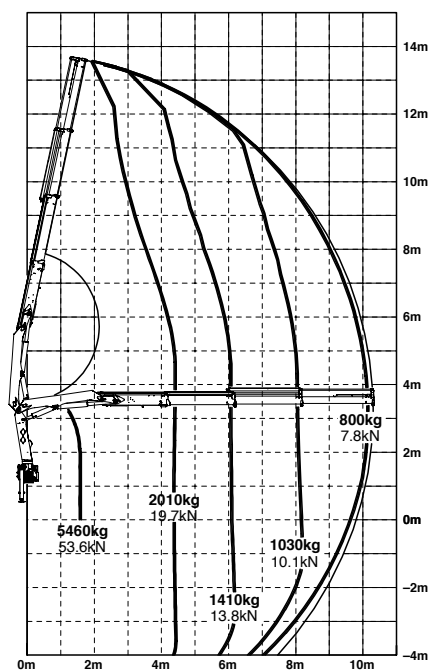


The outreaches stated are with a boom angle of 20° and are therefore not the maximum.



## Lifting capacities

**B**



max.		<b>5700 kg</b>	<b>12570 lbs</b>	<b>STD</b>
4.4 m	14' 5"	2160 kg	4760 lbs	
6.1 m	20' 0"	1570 kg	3460 lbs	

max.		<b>5580 kg</b>	<b>12300 lbs</b>	<b>A</b>
4.4 m	14' 5"	2080 kg	4590 lbs	
6.1 m	20' 0"	1490 kg	3280 lbs	
8.0 m	26' 3"	1120 kg	2470 lbs	

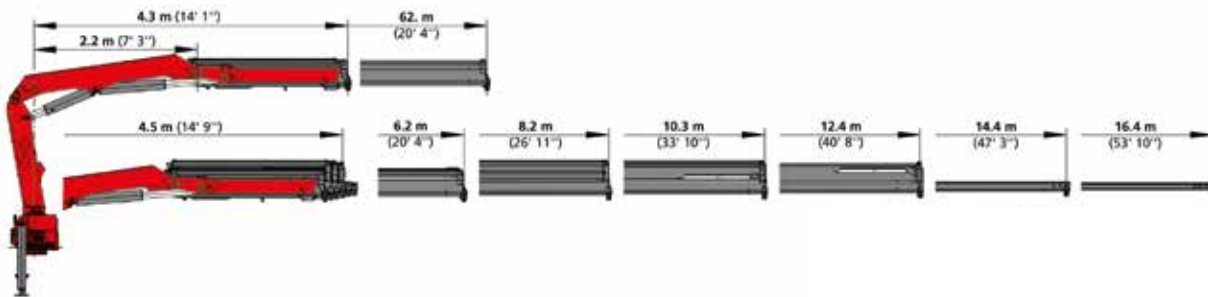
max.		<b>5460 kg</b>	<b>12040 lbs</b>	<b>B</b>
4.4 m	14' 5"	2010 kg	4430 lbs	
6.1 m	20' 0"	1410 kg	3110 lbs	
8.0 m	26' 3"	1030kg	2270 lbs	
10.1 m	33' 2"	800 kg	1760 lbs	
12.4 m*	40' 8"	490 kg	1080 lbs	
14.4 m*	47' 3"	380 kg	840 lbs	
16.4 m*	53' 10"	300 kg	660 lbs	

max.		<b>5360 kg</b>	<b>11820 lbs</b>	<b>C</b>
4.4 m	14' 5"	1950 kg	4300 lbs	
6.1 m	20' 0"	1340 kg	2950 lbs	
8.0 m	26' 3"	950 kg	2090 lbs	
10.1 m	33' 2"	720 kg	1590 lbs	
12.2 m	40' 0"	590 kg	1300 lbs	
14.3 m*	46' 11"	350 kg	770 lbs	
16.3 m*	53' 6"	280 kg	620 lbs	

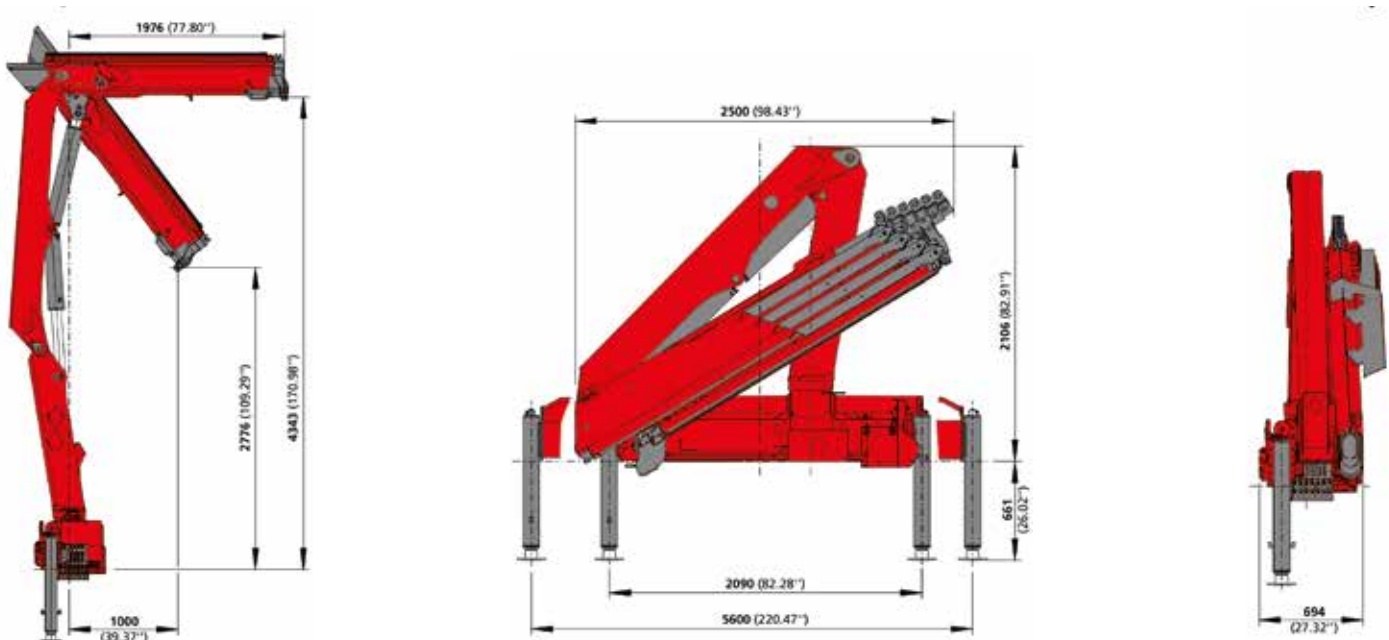
\*mechanical extension

# PERFECT DIMENSIONS

## EXTENSION BOOM VARIATIONS



## DIMENSIONS



## Technical specifications

EN 12999 H1-B3

### PK 10000

Max. lifting moment	9.5 mt/93.5 kNm	68940 ft.lbs
Max. lifting capacity	5700 kg/55.9 kN	12570 lbs
Max. hydraulic outreach	12.4 m	40' 8"
Max. manual outreach	16.2 m	53' 2"
Slewing angle	400°	
Slewing torque	1.2 mt/11.8 kNm	8700 ft.lbs
Outreach	6.2 m	20' 4"
Stabilizer spread standard	3.3 m	10' 9"
Stabilizer spread max.	5.6 m	18' 4"
Fitting space required	0.70 m	2' 4"
Width folded	2.5 m	8' 2"
Max. operating pressure	315 bar	4568 psi
Recommended pump capacity with radio remote control and LS-System	from 6.6 imp.gal./min to 9.9 imp.gal./min from 9.9 imp.gal./min to 13.2 imp.gal./min	7.9 US gal./min 11.9 US gal./min 11.9 US gal./min 15.9 US gal./min
Dead weight standard crane	1031 kg	2270 lbs



KP-PK10000M2+EN

Cranes shown in the leaflet are partially optional equipped and do not always correspond to the standard version. Country-specific regulations must be observed. Dimensions may vary. Subject to technical changes, errors and translation mistakes.